

Smart Sensor Tag Datasheet

Smart Tag is a passive tag that allows monitoring the temperature, weight, location, or other asset related variations as a function of time. Customized sensor solutions are easily applicable using Smart Tag's generic sensor input slot.. Monitored data is stored on the HF RFID tag's user memory.

The entire circuitry is powered up by a battery that has a 3 years life time. Its typical field of application is in vending machines, transportation and supply chain of medical products, foods etc., since it allows the continuous monitoring of the goods conditions.

Technical Specifications:

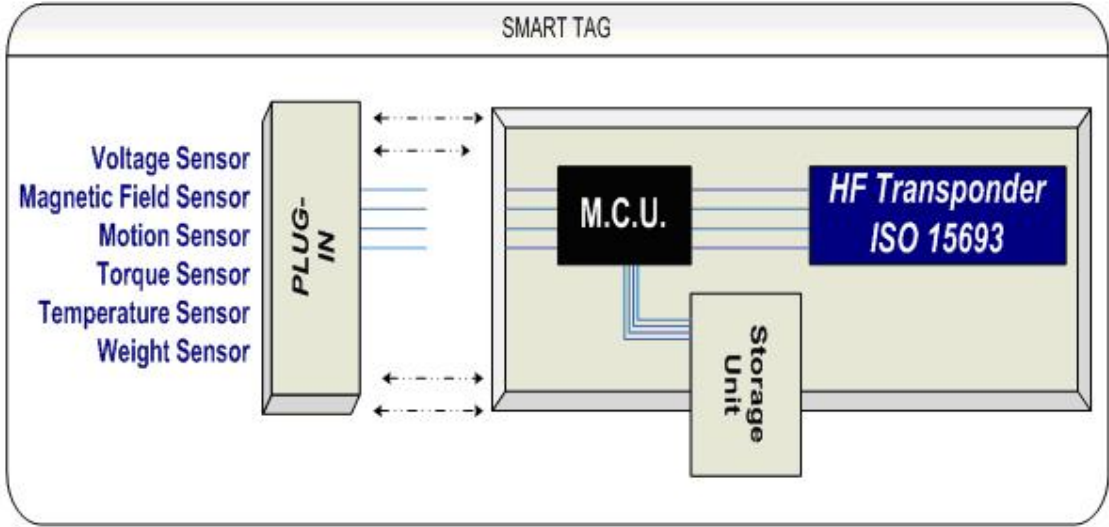
- Monitors temperature variations as a function of time
- Up to 6 m reading range
- Core based on Passive tag (read/write)
- HF 13.56MHZ ISO 15693 Model
- UHF EPC GEN2 Model
- 3 years battery life time

Next Release Upgrades:

- Humidity monitoring
- Electricity cut off monitoring
- Weight variations monitoring
- Location variations monitoring

Possible Implementations:

- Coolers and Vending Machines
- Pharmaceutical Products
- Vehicles
- Valuable and heavy Asset



DESCRIPTION

- Stores "Plug-in" measurements across time
- Easily installed and configured
- Small size, can fit anywhere
- Data Communication via **RFID technology**
- Easily **integrated** with additional modules

